

KIT DE CHASSI MURAL 19"

Set brackets & Stack

- ▶ Functional
- ▶ Decorative
- ▶ Modular
- ▶ Economical



EASY TO CARRY - EASY TO SET
EASY TO STACK



LANDE 19" wall mounting **S^{et} brackets & S^{tack}** provides an aesthetically pleasing, functional, decorative and economic solution for wall mount equipment installations. The **S^{et} brackets & S^{tack}** wall mounted bracket can be used at in a wide range of installations where a limited 'U' height is available and saving floor space is required. The **S^{et} brackets & S^{tack}** feature a modular, sturdy and compact design. With a flatpack-multi combinatio and configuration option that provides and ideal cost effective option for all installers.

FOR

- Defence & Aerospace
- IT & Networking
- Education
- Government
- Hotels & Leisure
- Oil and Gas

IN

- Audio-Video Solutions
- Broadcasting Solutions
- Security System Applications
- IT, Network and Cabling Technology Applications
- And Many Other Fields of Equipment Mounting



FEATURES

- High quality steel construction
- Cost effective and economical solutions
- Adjustable depth
- 19" standard rack mount
- Can be stacked to provide more U height 2U, 3U, 4U, 6U or 8U rack mount
- Available in RAL 7035 Light Grey or RAL 9005 Black

COMPLIANCES

UL and cUL

Load Carrying Capacity:

10 kg / 22 lbs per U

Painting: Ral7035 / Ral9005

STANDARDS

*ISO 9001

*EN 61587-1 Mechanical Structures For Electronic Equipment - Tests For IEC 60917 And IEC 60297

* Climatic and Environment:

EN 61587-1/4.2, IEC60068-2-1, IEC60068-2-2, IEC60068-2-30,

* Flammability: EN61587-1/6.3

**S^{et} brackets
& S^{tack}**

HOW TO SET YOUR BRACKET!

Open the transport box and remove your **Set brackets & Stack**



1



2



3



4

Unfold the bracket



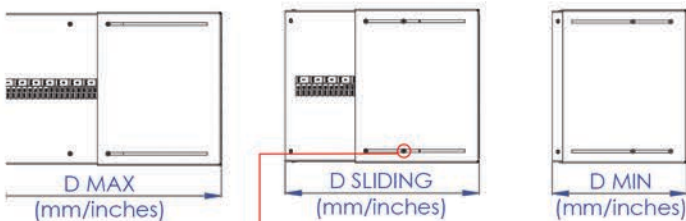
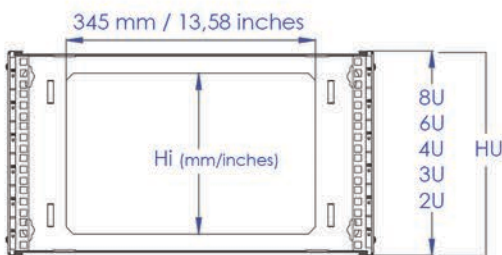
5



Remove the plastic transport handle



Adjust the depth of the bracket up to 100mm (4 inch)



To set D MAX one of the screw has to be taken off- which is topping the sliding function at D SLIDING depth.

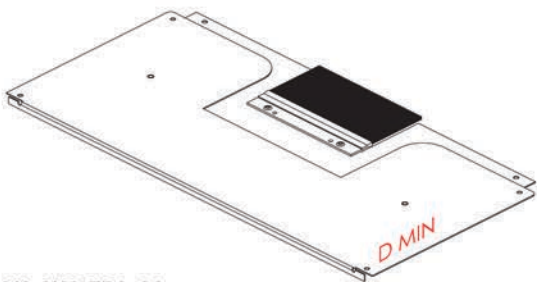
H U	H (mm/inches)	Hi (mm/inches)	D Max (mm/inches)	D Sliding (mm/inches)	D Min (mm/inches)
8U	372 14,64	312 12,28	430 16,92	360 14,17	250 9,84
6U	284 11,18	223 8,77	430 16,92	360 14,17	250 9,84
4U	195 7,67	134 5,27	430 16,92	360 14,17	250 9,84
3U	150 5,90	90 3,54	430 16,92	360 14,17	250 9,84
2U	106 4,17	45 1,77	430 16,92	360 14,17	250 9,84

OPTIONAL TOP AND BOTTOMS ARE AVAILABLE

1

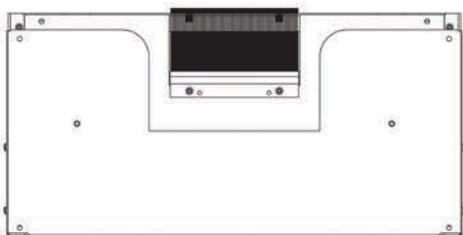
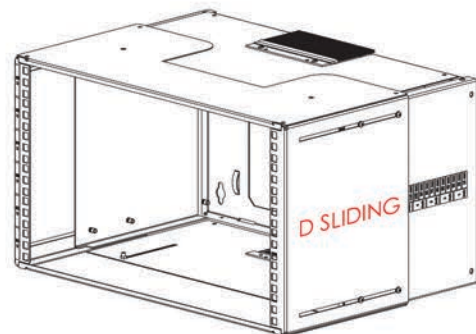
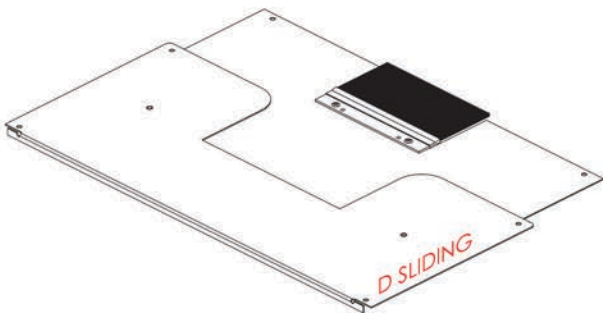
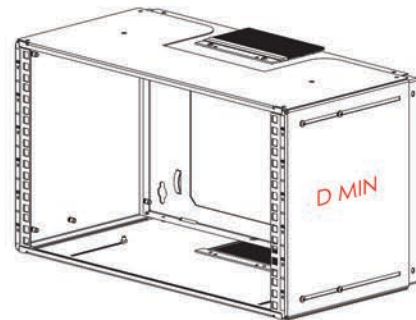


2



LN-SNS-TBC-CC

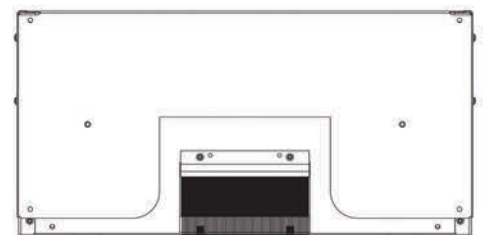
Set brackets & Stack top or bottom closing panel -sliding- with brushed cable entry
** CC= Colour Code, LG Light Grey RAL 7035, BL Black RAL 9005,
please confirm colour option when placing order.



TOP VIEW



FRONT VIEW



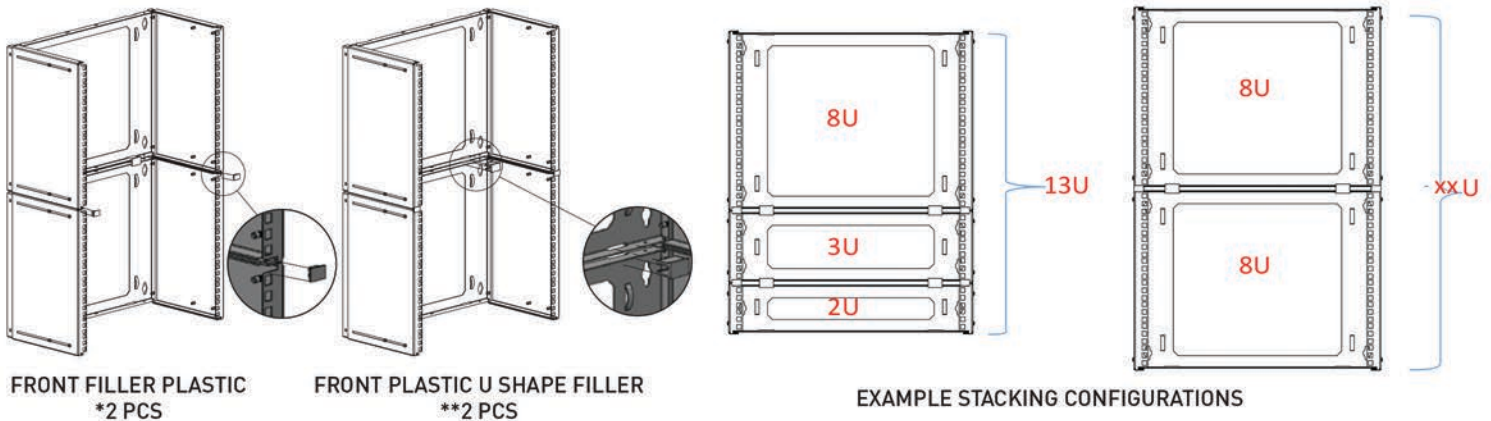
BOTTOM VIEW

HOW TO STACK YOUR BRACKET!

Variable U heights can be achieved with the **Set brackets & Stack** using the stacking feature. The product range consists of 2U, 3U, 4U, 6U and 8U brackets which allows a mix and match of U heights providing maximum flexibility.



Stack bracket to your own need U height



* Front plastic filler -2 pcs included in the delivery. This is used to fill the gap between two stacked brackets at the front 19" rail location.
** Front plastic U shape filler -2 pcs included in the delivery. This is used to help align and fix two stacked brackets.

Part Numbers and Logistics Details

Part Number	Product Description	Individual Product Packing Dimensions (mm/inch)						Unit Weight (kg/lbs)		Transport Box Packing Dimensions (mm/inch) 1 box consist of 5 pcs						Transport Box Weight (kg/lbs)	
		W		D		H		kg	lbs	W		D		H		kg	lbs
		mm	inch	mm	inch	mm	inch			mm	inch	mm	inch	mm	inch		
LN-SNS-02U5225-CC	Set&Stack Bracket 19" 2U D250~430mm adjustable depth- foldable	530	20,86	115	4,52	40	1,57	2,1	4,62	555	21,85	140	5,51	220	8,66	11,6	25,57
LN-SNS-03U5225-CC	Set&Stack Bracket 19" 3U D250~430mm adjustable depth- foldable			155	6,10			2,8	6,17			190	7,48			14,8	32,62
LN-SNS-04U5225-CC	Set&Stack Bracket 19" 4U D250~430mm adjustable depth- foldable			205	8,07			3,5	7,71			235	9,25			18,2	40,12
LN-SNS-06U5225-CC	Set&Stack Bracket 19" 6U D250~430mm adjustable depth- foldable			295	11,61			4,8	10,58			320	12,59			24,6	54,23
LN-SNS-08U5225-CC	Set&Stack Bracket 19" 8U D250~430mm adjustable depth- foldable			380	14,96			6	13,22			410	16,14			31	68,34

** CC= Colour Code, LG Light Grey RAL 7035, BL Black RAL 9005, please define while preparing orders

Accessory / Top or Bottom Closing Panel

Part Number	Product Description	Individual Product Packing Dimensions (mm/inch)						Unit Weight (kg/lbs)		Transport Box Packing Dimensions (mm/inch) 1 box consist of 6 pcs						Transport Box Weight (kg/lbs)	
		W		D		H		kg	lbs	W		D		H		kg	lbs
		mm	inch	mm	inch	mm	inch			mm	inch	mm	inch	mm	inch		
LN-SNS-TBC-CC	Set&Stack Bracket top or bottom closing panel -sliding- with brushed cable entry	515	20,27	255	10,03	30	1,18	1,8	3,96	530	20,86	190	7,48	270	10,62	11	24,25

** CC= Colour Code, LG Light Grey RAL 7035, BL Black RAL 9005, please define while preparing orders

Ordering Information;

* The **Set brackets & Stack** product is delivered in a transport box which consists of 5 pcs - Any ordered quantity of transport boxes are welcome.

** The colour options are RAL 7035 Light Grey and RAL 9005 Black- One transport box can consist of one colour range only.



1

Transport Box-consist of 5 brackets



2

Transport Box-consist of 5 brackets



3

Individual product packing with handle

