

VT740 / LTE slot modem

Product page: <https://vutlan.atlassian.net/l/c/17p817yG>

Datasheet page: <https://vutlan.atlassian.net/wiki/spaces/DEN/pages/2309947438/VT790+LTE+modem>



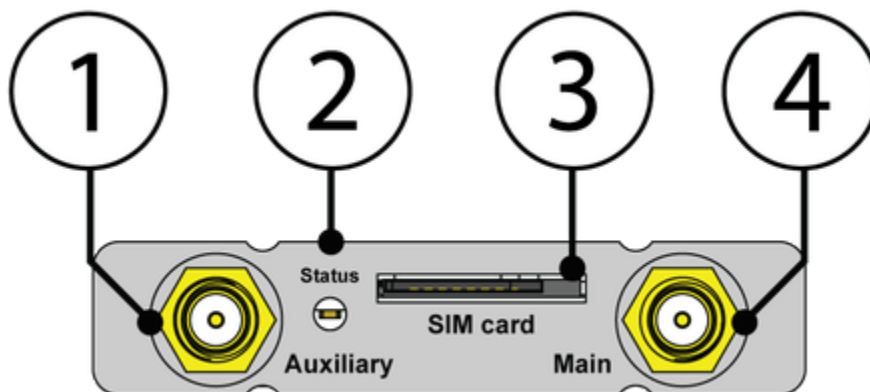
Usage

Can be installed in VT960i v3, VT960ii v3, VT855i v2.6, VT855ii v2.6, VT825i v2.6, VT825ii v2.6, VT335i monitoring systems.

Description

4G LTE slot modem for Vutlan monitoring units. Allows to receive and send SMS messages. Provides Ethernet over 4G LTE. Power-cycling is an embedded function.

Panel



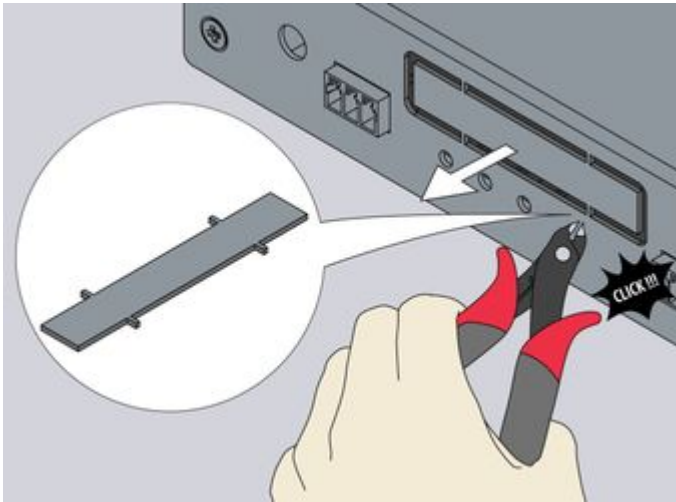
1. **"Auxiliary"** - Connector, used when the modem is installed inside of the appliance to connect LTE auxiliary antenna. The additional antenna helps to strengthen the signal level. (Auxiliary LTE antenna and antenna output are ordered separately from the modem).
2. **"Status"** - displays modems status. Blinking = working.
3. **"SIM card"** - SIM card slot with an injector.
4. **"Main antenna"** - Connector, used when the modem is installed inside of the appliance to connect GSM or LTE main antenna. (The main antenna is supplied together with the modem).

VT740 has a miniature RF connector on the board for connecting GNSS antenna. GNSS antenna is not sold together with VT740.

Installation

You can install the modem while the system is turned On. You may wait up to 3 minutes until the Telecom operator information is renewed.

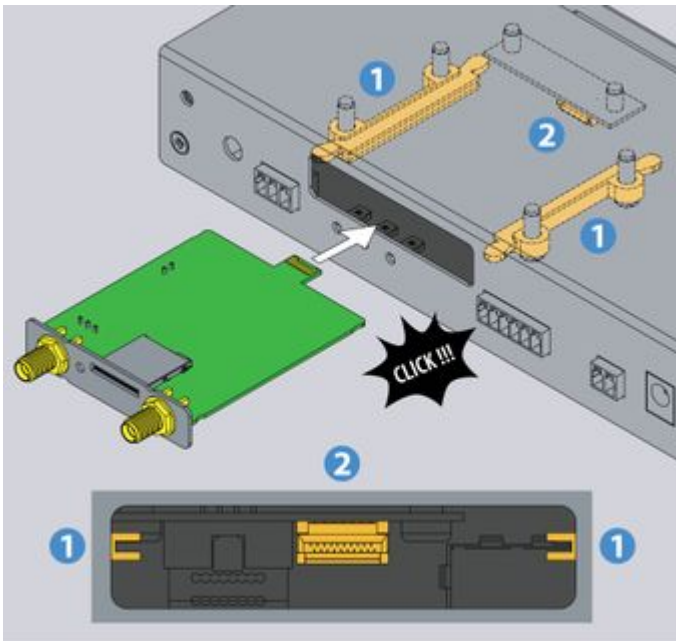
Step 1



1.1 Use the **wire cutter tool** to cut off the **metal panel** labeled "LTE Modem slot".

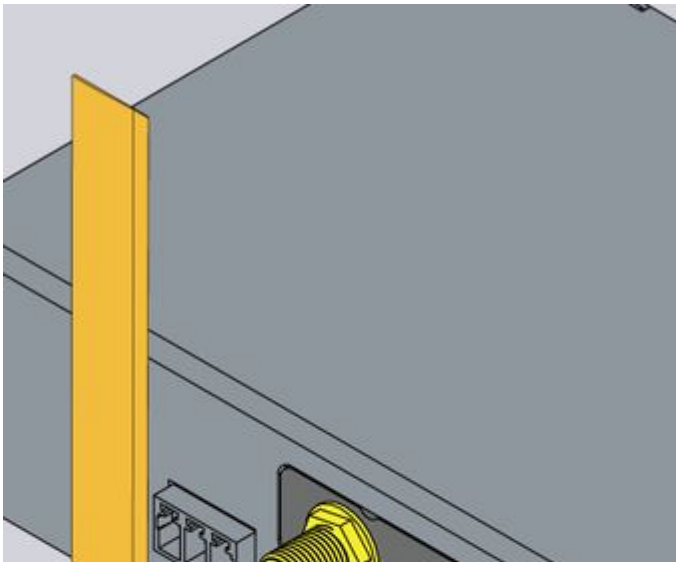
You can dispose of the metal panel after.

Step 2



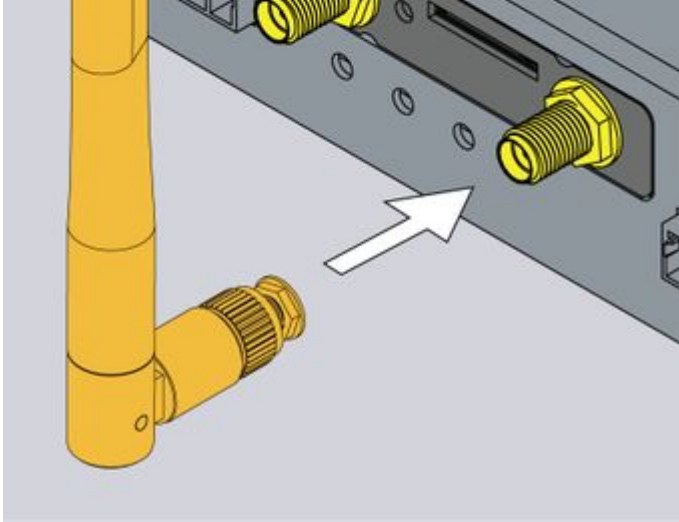
Plug the **VT740 slot modem** as shown on the picture into the opening. The board should slide into the guide rails (marked as "1") and plug into the jack (marked as "2").

Step 3

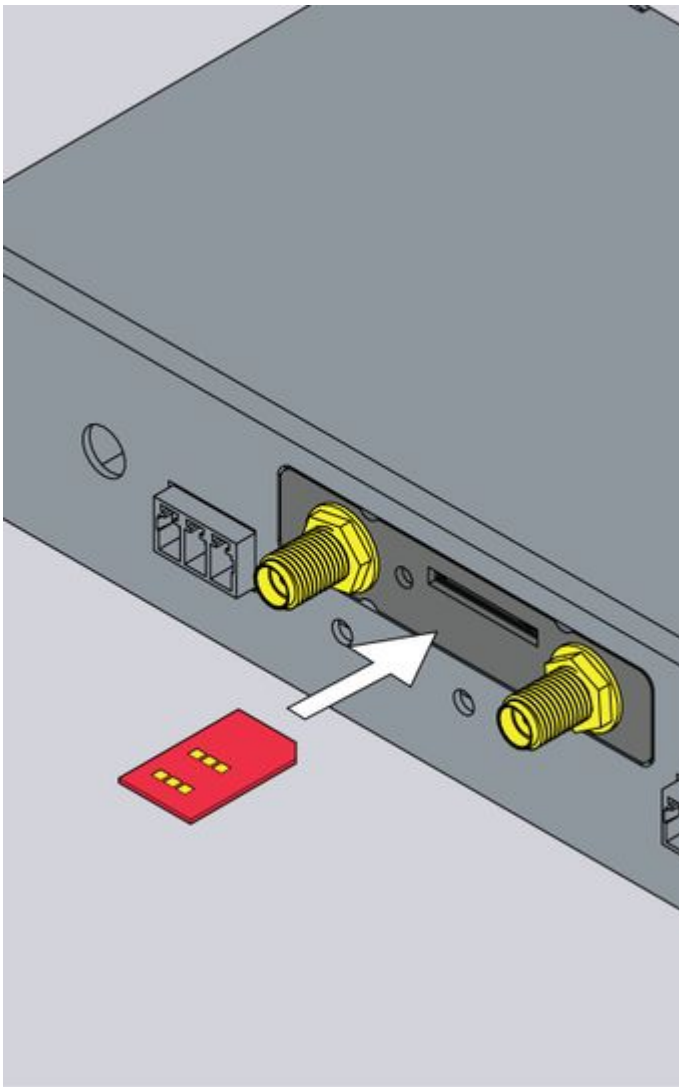


3.1 Screw the main LTE antenna into "**Main**" antenna" jack.

3.2 If you want to strengthen the signal, you can screw in the second auxiliary antenna into "**Auxiliary**" jack.



Step 4



Plug in the **SIM card**. The SIM card slot has an **injector**.

Step 5

You are ready to go! Turn on the system.

You can install the modem while the system is turned On. You may wait up to 3 minutes until the Telecom operator information is renewed.

Configuring the modem

Please read the following section for the configuration instructions:

Online documentation page link: [Setting up a modem](#)

The direct page link for users with paper documentation:

<https://vutlan.atlassian.net/wiki/spaces/DEN/pages/1016347/Setting+up+a+modem>